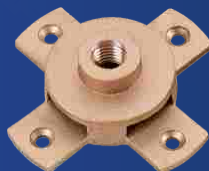
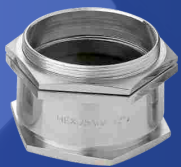


# BRASS

## CABLE GLANDS & EARTHING SOLUTIONS

We specialize in manufacturing Brass Cable Glands, Cable Gland Accessories, and Earthing & Lightning Accessories for secure and efficient electrical installations.





# Big Star Metal (BSM)

Founded in 2017, **Big Star Metal (BSM)** has emerged as a trusted name in the manufacturing of **Cable Glands, Brass Components, and Brass Parts**. Headquartered in Jamnagar, Gujarat (India), we take pride in offering high-quality, precision-engineered solutions tailored to meet diverse industry requirements. With a commitment to innovation, durability, and performance, we ensure that our products adhere to global quality standards.

What started as a modest workshop has now grown into one of **Saurashtra's leading manufacturers of Cable Accessories, Earthing & Lightning Protection Systems**. Our in-house manufacturing capabilities, combined with robust logistics and customer-centric service, have enabled us to cater to a vast clientele across India and international markets.

## Why Choose Big Star Metal?

### Industry Expertise & Innovation

With years of experience and a forward-thinking approach, we provide cutting-edge solutions for cable management and electrical safety.

### Comprehensive Product Range

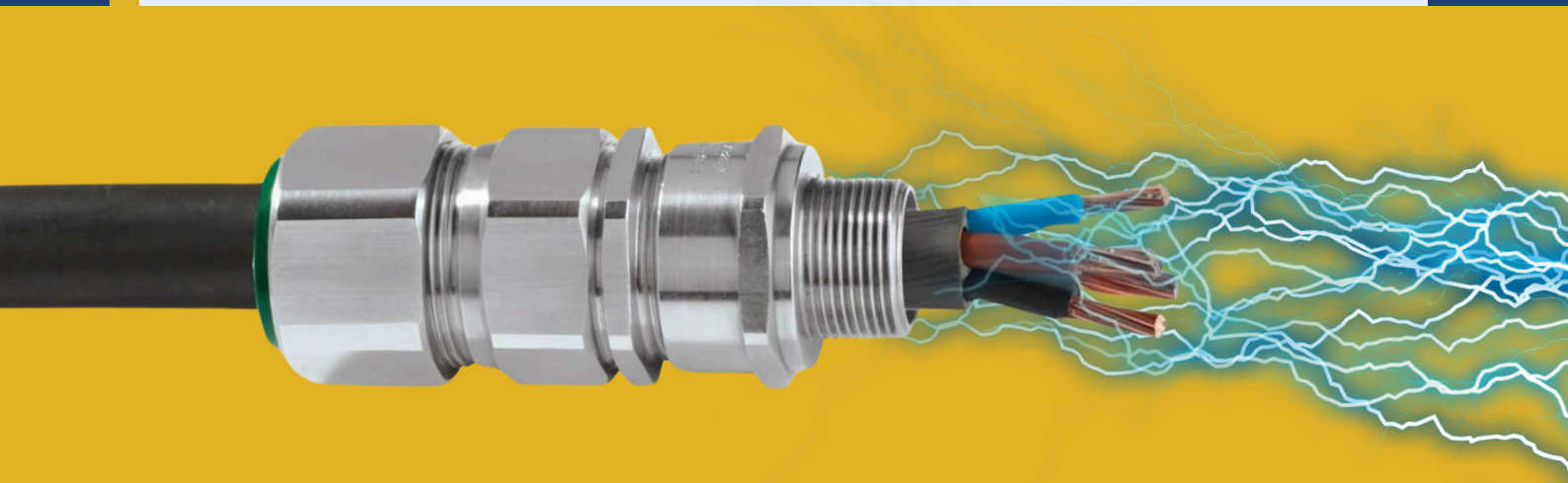
From Cable Glands to Earthing & Lightning Protection Systems, we offer a one-stop solution for industrial and electrical needs.

### Quality & Compliance

Our products are manufactured to meet global industry standards, ensuring safety, durability, and reliability.

### Sustainability & Responsibility

We believe in responsible manufacturing, focusing on economic, environmental, and social well-being for a better future.





## Our Vision

At Big Star Metal (BSM), our vision is to be a global leader in manufacturing high-quality Cable Accessories, Earthing & Lightning Protection Systems, and Brass Components. We strive to drive innovation, precision, and sustainability in the industry, ensuring that our products set new benchmarks in safety, efficiency, and reliability. Our goal is to expand our footprint across global markets while maintaining our commitment to excellence and customer satisfaction.

## Our Values

At Big Star Metal, we are committed to delivering top-tier products that meet international quality standards, ensuring reliability and durability. Our customer-centric approach drives us to understand client needs and provide tailored solutions with prompt service. Integrity and trust form the foundation of our business, enabling us to build long-term relationships through ethical practices and transparency. We continuously invest in innovation and technology, developing advanced solutions that keep pace with evolving industry demands. Sustainability is at the core of our operations, as we adopt eco-friendly processes and responsible manufacturing to benefit both society and the environment. Our journey from a small workshop to a global brand reflects our determination, adaptability, and passion for excellence in everything we do.





# STATE-OF-THE-ART MANUFACTURING UNIT





# A1 / A2 CABLE GLANDS

## Application:

For use with all unarmoured cables with rubber outer sheath. Secures the outer sheath of the cable. The displacement seal concept makes it suitable for indoor and outdoor applications.

**Design Features:** Outer displacement seal.

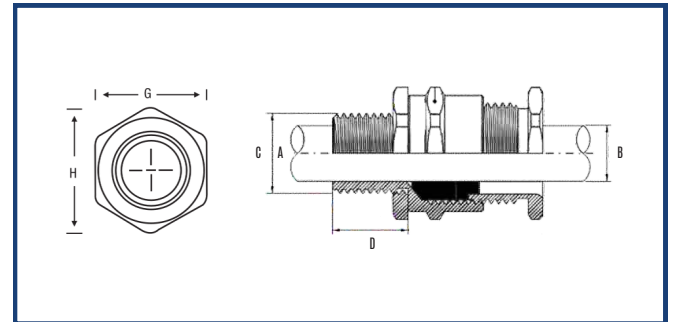
Compliant with BS 6121-1: 2005, BS EN 62444: 2013.

**Material:** Brass

**Ingress Protection:** IP 66

**Plating:** Nickel, Chrome on request.

EMC CE



## Parts of Glands

- Brass CBSCACK Nut
- Brass Gland Body
- Rubber Inner Seal
- LD Washer
- Brass Compression Nut

## Cable Glands Specification Table

Size	Cable Overall Dia (mm)	A Dia (mm)	B Dia (mm)	C Nipple Entry Thread	D Length (mm)	G A/F (mm)	H A/C (mm)	Product Code
16S	3.50 - 8.00	9.25	12.50	M16 X 1.5	10.00	22.00	24.75	BA2 - 16S
16L	3.50 - 9.00	9.25	12.50	M16 X 1.5	10.00	22.00	24.75	BA2 - 16L
20S	8.00 - 11.50	12.50	12.50	M20 X 1.5	10.00	22.00	24.75	BA2 - 20S
20L	11.00 - 14.00	14.75	15.50	M20 X 1.5	10.00	24.00	26.75	BA2 - 20L
25S	12.00 - 17.50	19.00	20.00	M25 X 1.5	15.00	27.50	30.50	BA2 - 25S
25L	14.00 - 20.50	20.75	22.00	M25 X 1.5	15.00	30.00	33.00	BA2 - 25L
32S	17.00 - 22.50	23.00	24.50	M32 X 1.5	15.00	34.75	37.50	BA2 - 32S
32L	19.00 - 26.50	26.75	28.00	M32 X 1.5	15.00	38.50	42.00	BA2 - 32L
40S	24.00 - 29.50	32.00	32.50	M40 X 1.5	19.00	42.50	47.50	BA2 - 40S
40L	25.00 - 33.00	34.50	34.50	M40 X 1.5	19.00	45.50	50.50	BA2 - 40L
50S	32.00 - 39.00	41.50	41.50	M50 X 1.5	19.00	55.50	61.50	BA2 - 50S
50L	37.00 - 44.00	45.00	45.50	M50 X 1.5	19.00	61.75	67.50	BA2 - 50L
63S	43.00 - 50.00	53.00	54.50	M63 X 1.5	19.00	67.25	74.25	BA2 - 63S
63L	48.00 - 56.00	56.50	56.50	M63 X 1.5	19.00	71.00	78.50	BA2 - 63L
75S	54.00 - 59.00	62.00	62.00	M75 X 1.5	20.00	77.00	84.50	BA2 - 75S
75L	59.00 - 67.50	68.00	70.00	M75 X 1.5	20.00	85.50	95.25	BA2 - 75L
90S	66.00 - 78.00	82.50	82.50	M90 X 1.5	20.00	99.75	111.50	BA2 - 90S
90L	68.00 - 80.00	82.50	82.50	M90 X 1.5	20.00	99.75	111.50	BA2 - 90L

# ALCO CABLE GLAND

## Application:

Provides mechanical cable retention & electrical continuity via armoured wire termination in dry indoor areas for all types of SWA cables.

EMC CE

## Features:

Armoured Ring

**Material:** Aluminium

**Ingress Protection:** IP 66

**Plating:** Nickel, Chrome on request.



## Cable Glands Specification Table

Size (S)	Thread "C" Metric	Thread Length "D"	Cable Dia. "A" Max.	Cable Dia. "B" Max.	Armour Wire Dia.	Protrusion Length "F"	A/F	A/C	CAT NO.
G204	20	10.00	12.50	16.00	0.90-1.25	17.00	24.25	26.20	ACG-204
G206	20	10.00	15.00	20.00	0.9-1.25	17.50	26.20	26.20	ACG-206
G254	25	10.00	18.50	24.00	1.25-1.60	19.00	33.00	33.00	ACG-254
G256	25	10.00	20.50	27.00	1.25-1.60	20.25	35.00	39.20	ACG-256
G324	32	10.00	27.25	34.00	1.60-2.00	20.50	45.00	50.00	ACG-324
G326	32	10.00	27.25	34.00	1.60-2.00	20.50	45.00	60.00	ACG-326
G405	40	10.00	31.00	37.50	2.0-2.50	21.00	50.00	65.00	ACG-405
G503	50	15.00	34.50	41.00	2.00-2.50	22.00	52.00	75.00	ACG-503
G505	50	15.00	41.00	48.00	2.50	21.50	61.50	80.00	ACG-505
G636	63	15.00	44.50	54.00	2.50	24.25	65.00	85.00	ACG-636
G753	75	15.00	51.50	59.00	2.50-3.15	26.00	72.00	95.00	ACG-753
G755	75	15.00	56.75	65.00	2.50	26.00	80.00	100.00	ACG-755

# BW CABLE GLAND (2 PART)

## Application:

For use with armoured or braided cables, it secures armouring & provides electrical continuity between armour & gland entry components mainly used in dry and indoor conditions.

## Design Features:

Compliant to BS 6121 - 1: 2005, 2-part armoured lock. The knurled lock produces a low-resistance earth clip.

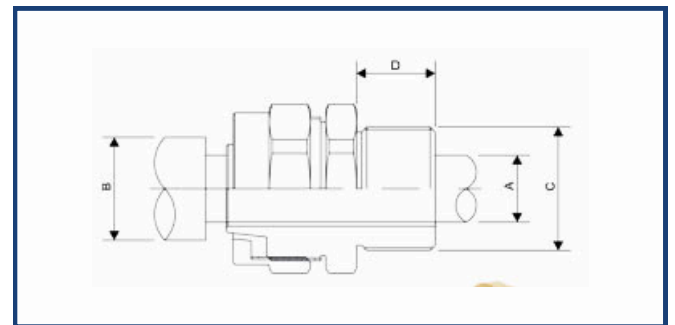
**Material:** Brass

**Ingress Protection:** IP3X

**Plating:** Nickel, Chrome on request.

Also available in CIEL (Cast Integral Earth Lug). For orders add 'C' to Prod. Code.

EMC CE



## Cable Glands Specification Table

Size	Under Armour Dia. A (mm)	Overall Dia. B Max. (mm)	ISO Entry Thread Dia. (D mm)	Length (E mm)	Approx length from shoulder (F mm)	Hexagon Size Flat (G mm)	Hexagon Size (H mm)	Product Code
16 S	8.00	12.00	M16	9.00	20.00	20.00	22.00	BBW - 16 S
16 L	8.60	13.50	M16	9.00	20.00	20.00	22.00	BBW - 16 L
20 S	12.50	17.00	M20	9.00	20.00	22.00	24.00	BBW - 20 S
20 L	14.30	20.00	M20	9.00	20.00	24.00	26.50	BBW - 20 L
25 S	19.00	23.25	M25	9.00	22.00	30.00	33.50	BBW - 25 S
25 L	20.40	27.00	M25	9.00	22.00	32.00	35.50	BBW - 25 L
32 S	27.00	28.50	M32	9.00	25.00	40.00	44.00	BBW - 32 S
32 L	27.50	33.50	M32	9.00	25.00	40.00	44.00	BBW - 32 L
40 S	31.50	37.50	M40	13.00	25.00	44.50	49.00	BBW - 40 S
40 L	33.00	41.50	M40	13.00	25.00	48.00	53.50	BBW - 40 L
50 S	40.00	48.00	M50	13.00	28.00	56.50	63.00	BBW - 50 S
50 L	44.50	54.00	M50	13.00	30.00	60.00	67.50	BBW - 50 L
63 S	51.00	60.50	M63	13.00	33.00	69.50	77.50	BBW - 63 S
63 L	56.00	65.00	M63	13.00	33.00	74.50	83.50	BBW - 63 L
75 S	63.00	72.00	M75	13.00	40.00	83.50	93.00	BBW - 75 S
75 L	67.00	78.50	M75	14.00	40.00	89.50	99.50	BBW - 75 L
90 S	75.00	85.00	M90	17.50	48.00	100.00	110.00	BBW - 90 S
90 L	78.40	88.50	M90	17.50	48.00	102.00	115.00	BBW - 90 L

## BW CABLE GLAND (4 PART)

### Application:

For use with armoured or braided cables, it secures armouring & provides electrical continuity between armour & gland entry components mainly used in dry and indoor conditions.

### Design Features:

Compliant with BS 6121 - 1: 2005,a 3-part armour lock with cone and lock ring provided for additional grip to the armour.

**Material:** Brass

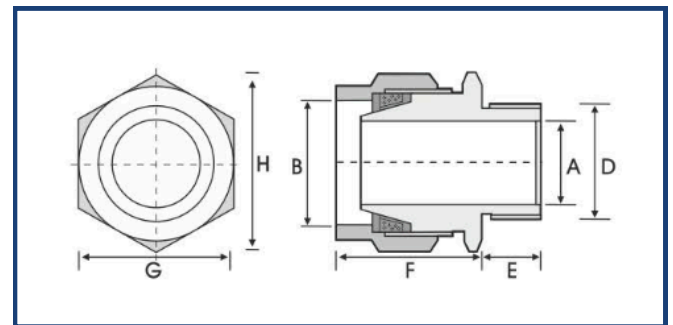
**Ingress Protection:** IP3X

**Plating:** Nickel, Chrome on request.

Also available in CIEL (Cast Integral Earth Lug). For orders add 'C' to Prod. Code.



EMC CE



### Cable Glands Specification Table

Size	Under Armour Dia. A (mm)	Overall Dia. B Max. (mm)	ISO Entry Thread Dia. (D mm)	Length (E mm)	Approx length from shoulder (F mm)	Hexagon Size Flat (G mm)	Hexagon Size (H mm)	Product Code
16 S	8.00	12.00	M16	9.00	20.00	20.00	22.00	BBW - 16 S
16 L	8.60	13.50	M16	9.00	20.00	20.00	22.00	BBW - 16 L
20 S	12.50	17.00	M20	9.00	20.00	22.00	24.00	BBW - 20 S
20 L	14.30	20.00	M20	9.00	20.00	24.00	26.50	BBW - 20 L
25 S	19.00	23.25	M25	9.00	22.00	30.00	33.50	BBW - 25 S
25 L	20.40	27.00	M25	9.00	22.00	32.00	35.50	BBW - 25 L
32 S	27.00	28.50	M32	9.00	25.00	40.00	44.00	BBW - 32 S
32 L	27.50	33.50	M32	9.00	25.00	40.00	44.00	BBW - 32 L
40 S	31.50	37.50	M40	13.00	25.00	44.50	49.00	BBW - 40 S
40 L	33.00	41.50	M40	13.00	25.00	48.00	53.50	BBW - 40 L
50 S	40.00	48.00	M50	13.00	28.00	56.50	63.00	BBW - 50 S
50 L	44.50	54.00	M50	13.00	30.00	60.00	67.50	BBW - 50 L
63 S	51.00	60.50	M63	13.00	33.00	69.50	77.50	BBW - 63 S
63 L	56.00	65.00	M63	13.00	33.00	74.50	83.50	BBW - 63 L
75 S	63.00	72.00	M75	13.00	40.00	83.50	93.00	BBW - 75 S
75 L	67.00	78.50	M75	14.00	40.00	89.50	99.50	BBW - 75 L
90 S	75.00	85.00	M90	17.50	48.00	100.00	110.00	BBW - 90 S
90 L	78.40	88.50	M90	17.50	48.00	102.00	115.00	BBW - 90 L

## CW CABLE GLAND (3 PART)

### Application:

For use with armoured cables, it secures armouring & provides electrical continuity between armour & gland entry components. It also provides a seal on the outer sheath of the cable, ensuring mechanical strength and no damage to the cable sheathing. With compression-type sealing techniques, these are used for both indoor and outdoor applications in all climate conditions as it is weatherproof & waterproof.

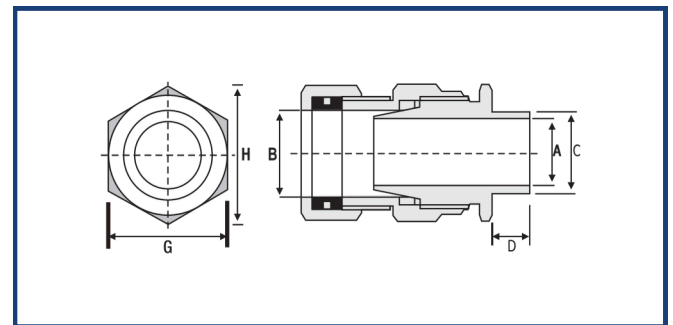
### Design Features:

Compliant to BS 6121-1: 2005, a 2-part armour/earth lock, knurled lock produces a low resistance earth clip.

### Ingress Protection: IP 66

Also available in CIEL (Cast Integral Earth Lug). For orders, add 'C' to the product code.

EMC CE



### Cable Glands Specification Table

Size	Under Armour Dia. A Max. (mm)	Overall Dia. B Max. (mm)	ISO Entry Thread Dia. D (mm)	Thread Length E (mm)	Approx Length from Shoulder F (mm)	Hexagon Size Across Flat G (mm)	Hexagon Size Corners H (mm)	Product Code
16 S	9.00	12.00	M16	10.00	40.00	20.00	22.00	HCW - 16 S
16 L	9.00	12.00	M16	10.00	40.00	20.00	22.00	HCW - 16 L
20 S	12.50	15.00	M20	10.00	42.00	22.00	24.00	HCW - 20 S
20 L	14.30	19.00	M20	10.00	42.00	26.00	29.00	HCW - 20 L
25 S	18.50	23.00	M25	10.00	44.00	32.00	36.00	HCW - 25 S
25 L	20.70	27.00	M25	10.00	44.00	35.00	38.00	HCW - 25 L
32 S	27.00	30.00	M32	11.00	46.00	42.00	45.50	HCW - 32 S
32 L	27.00	32.50	M32	11.00	46.00	42.00	45.50	HCW - 32 L
40 S	32.50	38.00	M40	13.00	50.00	49.50	55.00	HCW - 40 S
40 L	33.00	39.00	M40	13.00	50.00	57.00	62.00	HCW - 40 L
50 S	39.80	46.00	M50	13.00	57.00	62.50	69.00	HCW - 50 S
50 L	44.50	51.00	M50	13.00	57.00	62.50	69.00	HCW - 50 L
63 S	50.50	58.00	M63	14.00	70.00	72.00	78.50	HCW - 63 S
63 L	56.50	62.00	M63	14.00	61.00	77.00	84.00	HCW - 63 L
75 S	63.50	69.00	M75	14.00	65.00	83.50	90.00	HCW - 75 S
75 L	68.00	74.50	M75	15.00	66.00	91.00	100.00	HCW - 75 L
90 S	74.00	84.00	M90	17.00	80.00	100.00	110.00	HCW - 90 S
90 L	82.00	89.00	M90	17.00	82.00	102.00	114.00	HCW - 90 L

# CW CABLE GLAND (4 PART)

## Application:

For use with armoured cables, it secures armouring & provides electrical continuity between armour & gland entry components. It also provides a seal on the outer sheath of the cable, ensuring mechanical strength and no damage to the cable sheathing. With compression-type sealing techniques, these are used for both indoor and outdoor applications in all climate conditions as it is weatherproof & waterproof.

EMC CE

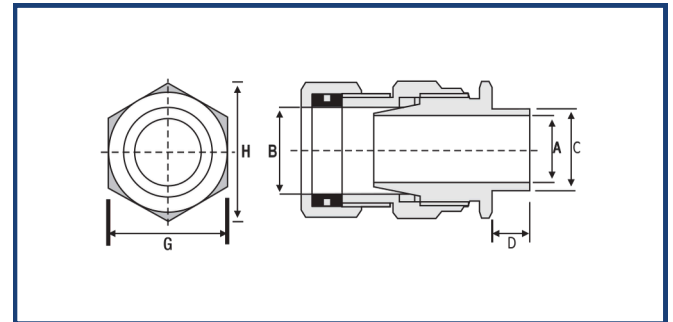


## Design Features:

Compliant to BS 6121-1: 2005, a 4-part armour lock with cone and lock ring provided for additional grip to the armour.

## Ingress Protection: IP 66

Also available in CIEL (Cast Integral Earth Lug). For orders, add 'C' to the product code.



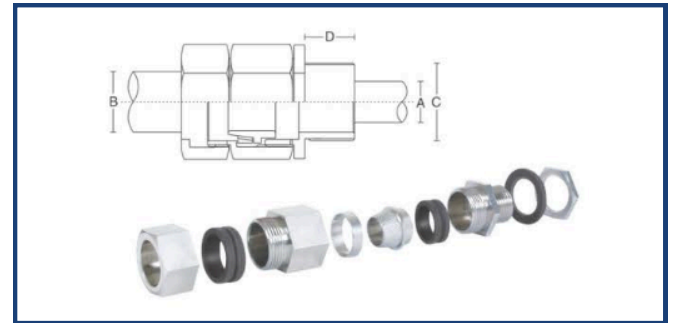
## Cable Glands Specification Table

Size	Under Armour Dia. A Max. (mm)	Overall Dia. B Max. (mm)	ISO Entry Thread Dia. D (mm)	Thread Length E (mm)	Approx Length from Shoulder F (mm)	Hexagon Size Across Flat G (mm)	Hexagon Size Corners H (mm)	Product Code
16 S	9.00	12.00	M16	10.00	40.00	20.00	22.00	HCW - 16 S
16 L	9.00	12.00	M16	10.00	40.00	20.00	22.00	HCW - 16 L
20 S	12.50	15.00	M20	10.00	42.00	22.00	24.00	HCW - 20 S
20 L	14.30	19.00	M20	10.00	42.00	26.00	29.00	HCW - 20 L
25 S	18.50	23.00	M25	10.00	44.00	32.00	36.00	HCW - 25 S
25 L	20.70	27.00	M25	10.00	44.00	35.00	38.00	HCW - 25 L
32 S	27.00	30.00	M32	11.00	46.00	42.00	45.50	HCW - 32 S
32 L	27.00	32.50	M32	11.00	46.00	42.00	45.50	HCW - 32 L
40 S	32.50	38.00	M40	13.00	50.00	49.50	55.00	HCW - 40 S
40 L	33.00	39.00	M40	13.00	50.00	57.00	62.00	HCW - 40 L
50 S	39.80	46.00	M50	13.00	57.00	62.50	69.00	HCW - 50 S
50 L	44.50	51.00	M50	13.00	57.00	62.50	69.00	HCW - 50 L
63 S	50.50	58.00	M63	14.00	70.00	72.00	78.50	HCW - 63 S
63 L	56.50	62.00	M63	14.00	61.00	77.00	84.00	HCW - 63 L
75 S	63.50	69.00	M75	14.00	65.00	83.50	90.00	HCW - 75 S
75 L	68.00	74.50	M75	15.00	66.00	91.00	100.00	HCW - 75 L
90 S	74.00	84.00	M90	17.00	80.00	100.00	110.00	HCW - 90 S
90 L	82.00	89.00	M90	17.00	82.00	102.00	114.00	HCW - 90 L

# DOUBLE COMPRESSION TYPE CABLE GLAND

Double Compression Weather and Flameproof Glands, also known as **Double Compression W/F Glands**, are specialized cable glands, commonly used in hazardous environments where protection against weather and flame is required. Double Compression Weather and Flameproof Glands are commonly used in areas of flammable gas or vapour.

EMC CE



## Cable Glands Specification Table

GLAND SIZE	THREAD SIZE 'C' (INCH)	WEATHER PROOF THREAD 'D' (mm)	FLAME PROOF THREAD 'D' (mm)	CABLE RANGE MAX 'A' (mm)	CABLE RANGE MAX 'B' (mm)	Product Code
01 SS	3/4"	15	25	8.00	12.00	BDG-01SS
01 S	3/4"	15	25	10.00	16.50	BDG-01S
01	3/4"	15	25	12.00	18.00	BDG-01
01 A	1"	15	25	12.00	18.00	BDG-01A
02	1"	15	25	14.00	20.00	BDG-02
02 A	3/4"	15	25	14.00	20.00	BDG-02A
03	1"	15	25	17.00	23.00	BDG-03
04	1"	15	25	20.00	26.00	BDG-04
04 A	1 1/4"	15	25	20.00	26.00	BDG-04A
05	1 1/4"	15	25	24.00	30.00	BDG-05
05 A	1 1/2"	15	25	24.00	30.00	BDG-05A
06	1 1/2"	15	25	27.00	33.00	BDG-06
06 A	1 1/4"	15	25	27.00	33.00	BDG-06A
07	1 1/2"	15	25	30.00	37.00	BDG-07
08	2"	15	25	35.00	41.00	BDG-08
09	2"	15	25	40.00	46.00	BDG-09
010	2"	20	25	46.00	52.00	BDG-010
010 A	2 1/2"	20	25	46.00	52.00	BDG-010A
011	2 1/2"	20	25	54.00	60.00	BDG-011
012	3"	20	25	60.00	67.00	BDG-012
013 A	3"	20	25	66.00	72.00	BDG-013A
013	3 3/4"	20	25	72.00	78.00	BDG-013
014	3 1/2"	20	25	78.00	84.00	BDG-014
015	4"	20	25	88.00	94.00	BDG-015
016	4 1/2"	20	25	98.00	105.00	BDG-016

# E1W CABLE GLANDS

## Application:

Suitable for all SWA extruded bedding cables requiring an IP66 or explosion-proof seal on both inner and outer sheaths.

## Design Features:

Compliant with BS 6121-1:2005 & BS EN 62444:2013. Features a 2-part armour/earth lock, knurled armour lock for low resistance earth connection, and inner/outer displacement seals. Rated IP66.

**Material:** Brass

**Ingress Protection:** IP 66

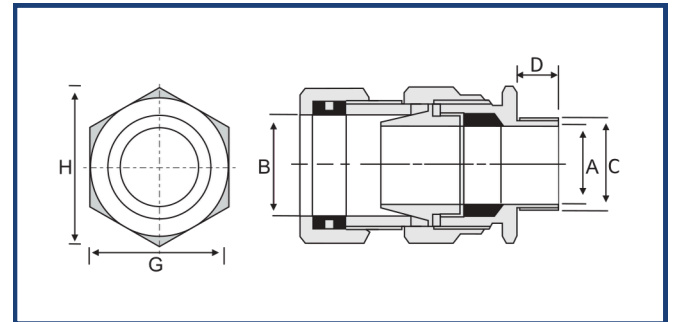
**Plating:** Nickel, Chrome on request.

## Parts of Glands

- Brass CBSCACK Nut, Brass Gland Body
- Rubber Seal (Inner Sheath), Brass Armour Cone
- Brass Armour Ring, Brass Middle Body
- Rubber Seal (Outer Sheath), Ld Ring
- Brass Compression Nut



EMC CE



## Cable Glands Specification Table

Size	Cable Overall Dia (From)	Cable Overall Dia (To)	A Dia (mm)	B Dia (mm)	C Nipple Entry Thread	D Length (mm)	G A/F (mm)	H A/C (mm)	Product Code
20S	12.00	16.00	12.00	16.00	M20 X 1.5	10.50	22.00	24.00	BE1W - 20S
20L	14.00	20.00	14.00	20.50	M20 X 1.5	10.50	27.00	30.00	BE1W - 20L
25S	18.00	24.00	18.50	25.00	M25 X 1.5	10.50	32.50	35.00	BE1W - 25S
25L	20.00	27.00	20.00	27.50	M25 X 1.5	10.50	34.50	38.00	BE1W - 25L
32S	24.00	31.00	24.00	31.50	M32 X 1.5	13.00	39.00	43.50	BE1W - 32S
32L	26.00	31.50	26.50	31.50	M32 X 1.5	13.00	41.25	46.25	BE1W - 32L
40S	30.00	38.50	31.50	42.00	M40 X 1.5	15.00	46.50	51.00	BE1W - 40S
40L	32.00	40.50	34.00	42.00	M40 X 1.5	15.00	50.50	56.50	BE1W - 40L
50S	38.00	46.00	40.50	47.00	M50 X 1.5	15.00	57.00	64.00	BE1W - 50S
50L	44.00	53.00	44.00	53.50	M50 X 1.5	15.00	62.00	69.00	BE1W - 50L
63S	50.00	59.00	52.00	60.50	M63 X 1.5	15.00	70.00	79.00	BE1W - 63S
63L	56.00	66.00	56.00	66.00	M63 X 1.5	15.00	79.00	87.00	BE1W - 63L
75S	62.00	72.00	62.00	72.00	M75 X 1.5	15.00	84.00	95.00	BE1W - 75S
75L	68.00	77.00	68.50	77.50	M75 X 1.5	19.00	92.00	102.50	BE1W - 75L
90L	79.00	88.00	80.00	89.00	M90 X 1.5	20.00	105.00	116.00	BE1W - 90L

# NICKEL PLATED BRASS GLAND - IP68 RATING

This innovative metal gland stands apart from traditional options with its IP68 rating, superior strain relief, and corrosion-resistant nickel-plated brass. Featuring a unique 'camera shutter' design for cable protection, it is fully insulated with a plastic insert and a neoprene seal for fluid-tightness, making it ideal for unarmoured PVC, XLPE, and other synthetic cables.

### Material:

- Brass nickel plated
- Polyamide 6 insert - (self-extinguishing)
- Neoprene seal - (self-extinguishing)
- Neoprene O-Ring - (self-extinguishing)

### Chemical resistance:

Resistant to normal organic solvents, minerals, animal and vegetable oil and fat, and petrol.

### Threading

According to IEC 423, IEC 423A and EN 60423

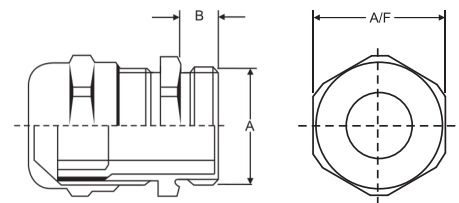
### Continuous operating temperature

-20 to 100°C

**IP rating:** IP68

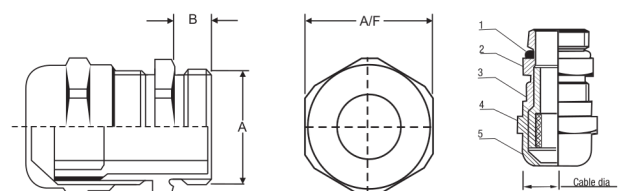
### Metric Thread Table

A Dia. (mm)	B Length (mm)	Min. Cab. Ran. (mm)	Max. Cab. Ran. (mm)	Width A/F (mm)	Product Code
12	5	3	6	14	BIP 68 - 12
16	5	5	10	19	BIP 68 - 16
20	6	8	22	22	BIP 68 - 20
25	7	11	17	27	BIP 68 - 25
32	8	15	21	34	BIP 68 - 32
40	8	19	28	43	BIP 68 - 40
50	9	26	35	55	BIP 68 - 50
63	10	32	42	65	BIP 68 - 63
75	14.5	48	62	80	BIP 68 - 75



### PG Thread Table

A Dia. (mm)	B Length (mm)	Min. Cab. Ran. (mm)	Max. Cab. Ran. (mm)	Width A/F (mm)	Product Code
7	6	2	2	14	BIP 68 - 7
9	6	4	8	17	BIP 68 - 9
11	6	5	10	20	BIP 68 - 11
13.5	7	6	12	22	BIP 68 - 13.5
16	7	9	14	24	BIP 68 - 16
21	8	12	17	30	BIP 68 - 21
29	8	18	25	26	BIP 68 - 29
36	16	22	32	50	BIP 68 - 36
42	16	30	38	58	BIP 68 - 42
48	16	32	42	34	BIP 68 - 48



## CABLE GLAND ACCESSORIES

### EARTHING TAG

**Features:**

- Means of connection or an earth bond around the cable gland.
- Available in various shapes and all sizes.
- Ensures earth continuity between the electrical equipment & the gland.
- Can be coated or plated as per Customer Specification.

**Material:**

Brass, Aluminium & Copper

Metric	Product Code	Size	Product Code
M16	BGA ET-16	M50	BGA ET-50
M20	BGA ET-20	M63	BGA ET-63
M25	BGA ET-25	M75	BGA ET-75
M32	BGA ET-32	M80	BGA ET-80



### ADAPTORS & REDUCERS

**Features:**

- Provides additional protection & enhances the IP rating of the Cable Gland.
- Effective solution for weather and corrosion protection of a Cable Gland.
- Available in the same gland size compatible with each size of the cable gland.
- The narrow end of the sleeve is easily cut with a knife, enabling it to be slipped over a wide range of cable diameters and assisting with installation.

**Material:**

High-Grade Poly Vinyl Chloride



### PVC SHROUD

**Features:**

- Provides additional protection & enhances the IP rating of the Cable Gland.
- Effective solution for weather and corrosion protection of a Cable Gland.
- Available in the same gland size compatible with each size of the cable gland.
- The narrow end of the sleeve is easily cut with a knife, enabling it to be slipped over a wide range of cable diameters and assisting with installation.

**Material:**

High-Grade Poly Vinyl Chloride



## CABLE GLAND ACCESSORIES

### STOP PLUGS

**Material:** Brass (IS-319) Standard

**Plating:** Nickel Plated - Standard (Chrome also available)

**Threads:** BSC - Standard (PG / Metric / NPT / BSP also available)

**Application:** Used in normal climatic conditions.

**Sizes Available:** ¾", 1", 1 ¼", 1 ½", 2", 2 ½", 3"

Size	A/F	A/C	L1	L	T
16	22.00	24.00	15.00	22.00	M16x1.5
20	24.00	26.00	15.00	22.00	M20x1.5
25	30.00	33.00	15.00	22.00	M25x1.5
32	36.00	39.00	15.00	22.00	M32x1.5
40	46.00	50.60	15.00	22.00	M40x1.5
50	55.00	60.00	15.00	25.00	M50x1.5
63	70.00	75.00	15.00	25.00	M63x1.5
75	80.00	85.00	15.00	25.00	M75x1.5
90	95.00	100.00	20.00	30.00	M90x2.0
100	105.00	115.00	20.00	30.00	M100x2.0



### LOCK NUT

**Features:**

- Used in fastening glands to the gland plate.
- Available in Metric, Imperial, NPT, BSPT, BSP, & PG.
- Sizes Available: 16mm to 75mm

**Material:**

Brass, Aluminium & Galvanized Steel

Size (mm or inch)	Product Code	Size (mm or inch)	Product Code
16mm or 5/8"	BSGA LN-16	50mm or 2"	BSGA LN-50
20mm or ¾"	BSGA LN-20	63mm or 2.1/2"	BSGA LN-63
25mm or 1"	BSGA LN-25	75mm or 3"	BSGA LN-75
32mm or 1.1/4"	BSGA LN-32	90mm or 3.1/2"	BSGA LN-90
40mm or 1.1/2"	BSGA LN-40		



## CONDUIT FITTINGS AND ACCESSORIES

### BRASS NICKEL-PLATED ADAPTER

A durable and corrosion-resistant adapter for secure and reliable pipe or conduit connections.

**Material:** Brass      **Finish:** Nickel Plated

Conduit Size (mm)	Product Code	Conduit Size (mm)	Product Code
12	BSAFI - 12	25	BSAFI - 25
16	BSAFI - 16	32	BSAFI - 32
20	BSAFI - 20	40	BSAFI - 40

Available with G.I., Locknut on request.



### BRASS ROUND ADAPTER

A robust and precisely machined adapter designed for smooth transitions in piping and electrical fittings.

**Material:** Brass      **Finish:** Nickel Plated

Conduit Size (mm)	Product Code	Conduit Size (mm)	Product Code
12	BSAF - 12	32	BSAF - 32
16	BSAF - 16	40	BSAF - 40
20	BSAF - 20	50	BSAF - 50
25	BSAF - 25		



### BRASS MALE-FEMALE BUSH

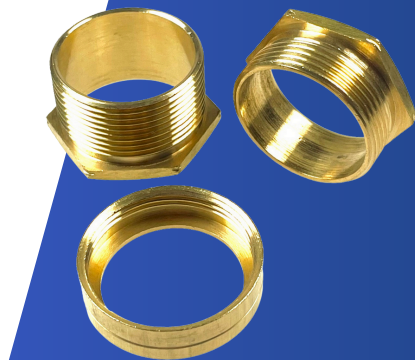
A versatile threaded reducer that seamlessly connects different pipe sizes for efficient flow management.

#### Male Bush Sizes and Product Codes

Size (mm)	Product Code SMALL	Product Code LONG
20	BSSMB - 20	BSSLB - 20
25	BSSMB - 25	BSSLB - 25
32	BSSMB - 32	BSSLB - 32
40	BSSMB - 40	BSSLB - 40
50	BSSMB - 50	BSSLB - 50

#### Female Bush Sizes and Product Codes

20	BSBFB - 20
25	BSBFB - 25
32	BSBFB - 32
40	BSBFB - 40
50	BSBFB - 50



## EARTHING ACCESSORIES

### COPPER BONDED EARTH RODS AND FITTINGS

Corrosion-resistant rods with copper bonding for improved conductivity in earthing systems.

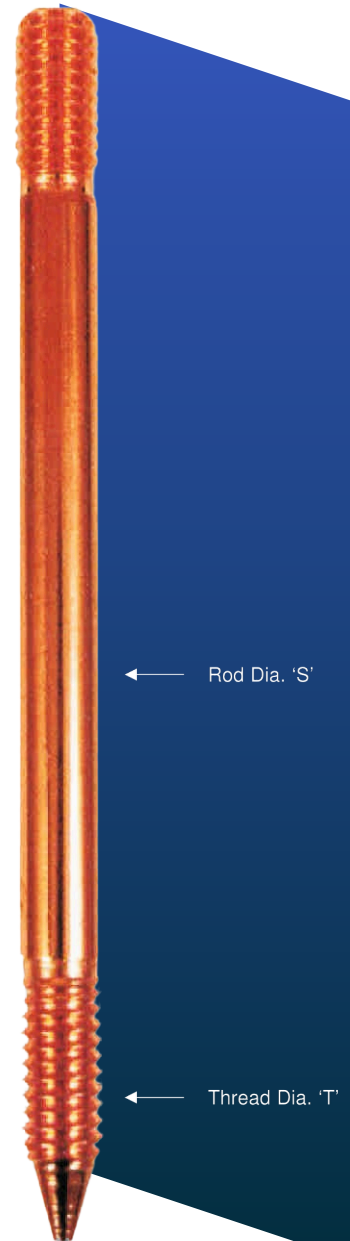
**Material:**

High tensile, low carbon steel as per IS 2062, molecularly bonded with 99.9% pure electrolytic copper.

**Salient Features:**

- Longer life, easier driving, and crack resistance.
- Corrosion resistant with low resistance to ground.
- Threads formed by roll threading ensure strong threads and even copper coating.
- Copper Bonding Thickness - 25 Microns.

Dimensions (Rod Size - Dia. x Length)	Shank Dia. 'S' in mm	Thread Dia. 'T' in mm	Product Code
9.5 x 1200	9.5	9.5	BSBR - 012
9.5 x 1800	9.5	9.5	BSBR - 018
14 x 1200	12	12	BSBR - 1412
14 x 1500	12	12	BSBR - 1415
14 x 1800	12	12	BSBR - 1418
14 x 2000	12	12	BSBR - 1420
14 x 2400	12	12	BSBR - 1424
5/8" x 4' or 16 mm x 1200	5/8"	5/8"	BSBR - 112
5/8" x 5' or 16 mm x 1500	5/8"	5/8"	BSBR - 115
5/8" x 6' or 16 mm x 1800	5/8"	5/8"	BSBR - 118
5/8" x 8' or 16 mm x 2400	5/8"	5/8"	BSBR - 124
5/8" x 10' or 16 mm x 3000	5/8"	5/8"	BSBR - 130
3/4" x 4' or 19 mm x 1200	3/4"	3/4"	BSBR - 312
3/4" x 5' or 19 mm x 1500	3/4"	3/4"	BSBR - 315
3/4" x 6' or 19 mm x 1800	3/4"	3/4"	BSBR - 318
3/4" x 8' or 19 mm x 2400	3/4"	3/4"	BSBR - 324
3/4" x 10' or 19 mm x 3000	3/4"	3/4"	BSBR - 330



Copper bonding thickness available above 25 microns on request.

Example: 'BSBR-215 (250)' means BSBR-215 with Copper Bonding thickness of 250 microns.

## EARTHING ACCESSORIES

### COUPLER

Couplers are counter bored to completely enclose the threads & protect from damage and corrosion.

**Material:** Copper Alloy

Size (mm)	Product Code Brass	Product Code Al. Bronze	Product Code Gunmetal
16 or 5/8"	BSCAC - 14	BSCAC - 15	BSCAC - 15G
19 or 3/4"	BSCAC - 16	BSCAC - 17	BSCAC - 17G
19 or 3/4"	BSCAC - 19	BSCAC - 20	BSCAC - 20G



### MULTIPLE POINTS

A grounding solution that provides multiple earthing points for enhanced safety.

**Material:** Copper / Copper Alloy

Rod Diameter	Product Code
16 - 5/8"	BSMP - 16
20 - 3/4"	BSMP - 20

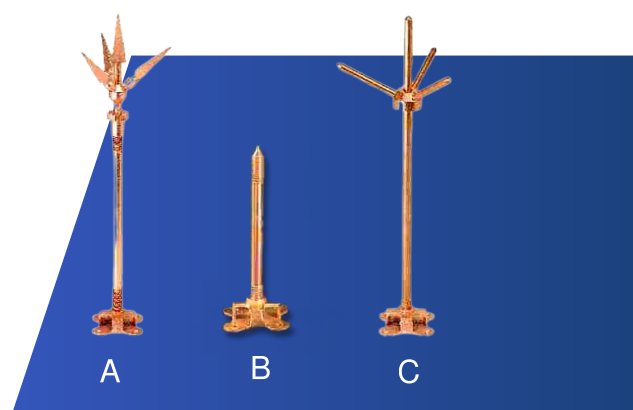


### AIR ROD TERMINAL BASE

A base designed to mount air rods securely for lightning protection systems.

**Material:** Copper / Copper Alloy

Item	Product Code
A	BSLA - 144
B	BSLA - 14
C	BSLA - 154

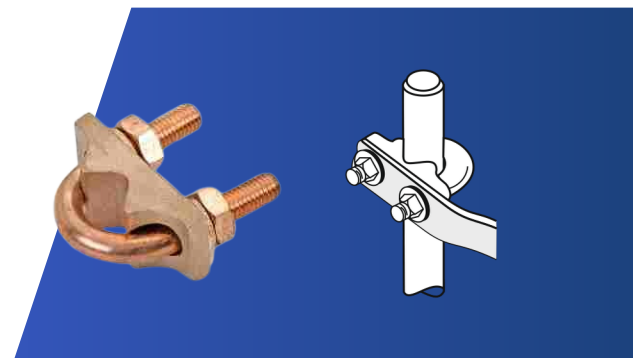


### U BOLT ROD CLAMPS TYPE - E

A clamp used for fastening earth rods to various conductors with a U-bolt design.

**Material:** Copper with Gunmetal plate

Nom. Rod	Hole Centres	Product Code
5/8"	37 mm	BSUU - 16
3/4"	37 mm	BSUU - 20
1"	37 mm	BSUU - 25



## EARTHING ACCESSORIES

### U BOLT ROD TO CABLE CLAMPS

A robust clamp designed to connect cables directly to earth rods.

**Material:** Gunmetal Plates with 'U' Bolt.

Nominal Rod Diameter	Conductor Range mm <sup>2</sup>	Product Code
5/8"	16 - 95	BSURC - 1
3/4"	20 - 70	BSURC - 2
5/8"	70 - 185	BSURC - 3
3/4"	70 - 150	BSURC - 4
5/8"	150 - 300	BSURC - 5
3/4"	150 - 300	BSURC - 6



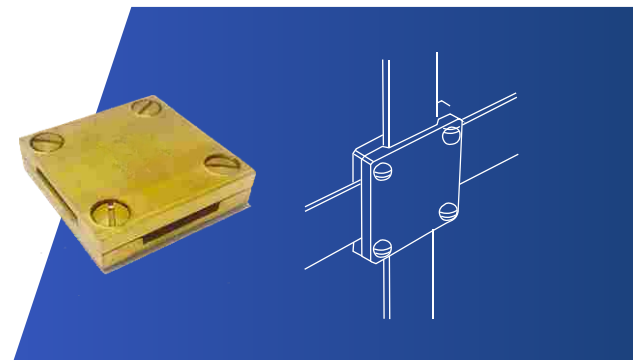
### SQUARE TAPE CLAMP

A clamp designed for secure four-way copper tape connections in grounding systems.

**Material:** Brass / Gunmetal

*Also available for Aluminium conductor on request.*

Conductor Size (mm)	Product Code
25 x 3	BSSTC - 253
25 x 4	BSSTC - 254
25 x 6	BSSTC - 256
50 x 6	BSSTC - 506



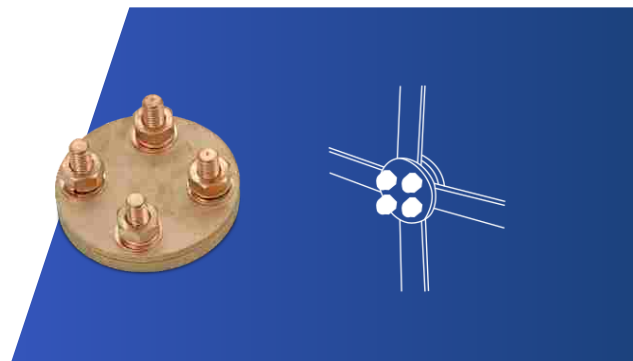
### TEST BOND / TEST CLAMP

A clamp designed for testing and bonding copper tape connections. Used for 4-way Copper Tape Connection.

**Material:** Brass / Gunmetal

*Also available for Aluminium conductor on request.*

Conductor Size (mm)	Product Code
26 x 12	BSTBC - 2612



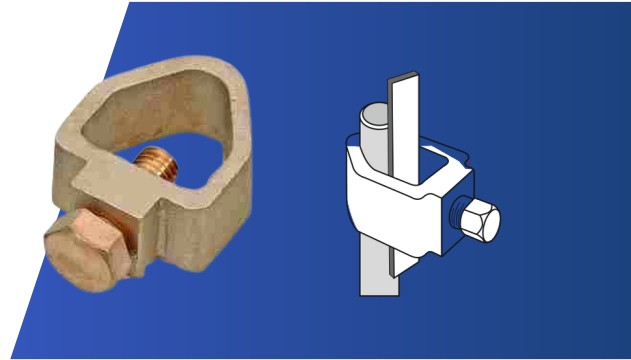
## EARTHING ACCESSORIES

### ROD TO TAPE CLAMP TYPE - B

A durable clamp for connecting rods to copper tape in grounding setups.

**Material:** Brass / Gunmetal

Rod Size	Tape Size	Product Code
5/8"	26 x 12	BSBC - 1
5/8"	40 x 12	BSBC - 2
5/8"	51 x 12	BSBC - 3

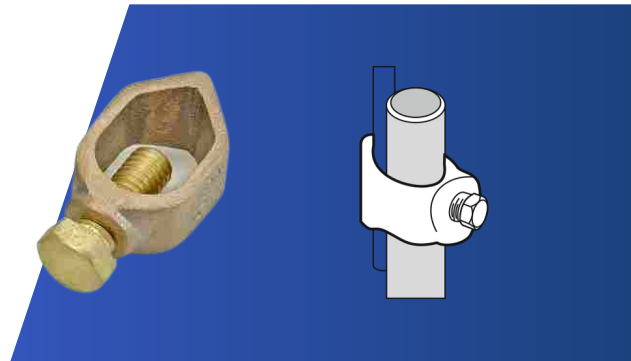


### ROD TO TAPE CLAMP TYPE - C

A clamp designed for securely connecting rods to larger cable sizes.

**Material:** Brass / Gunmetal

Rod Size	Cable Size	Product Code
3/8" or 9.5mm	35mm <sup>2</sup>	BSCC - 1
5/8" or 16mm	50mm <sup>2</sup>	BSCC - 2
5/8" or 16mm	70mm <sup>2</sup>	BSCC - 3
3/4" or 20mm	95mm <sup>2</sup>	BSCC - 4

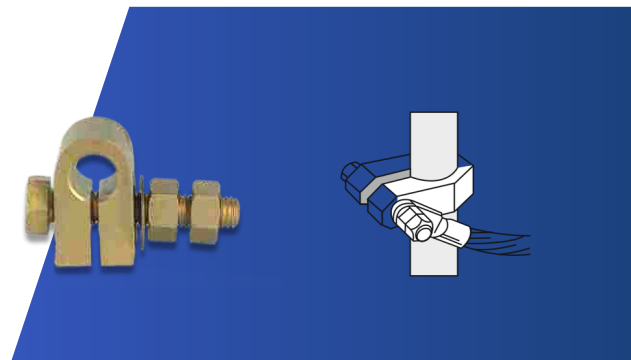


### SPLIT CONNECTOR CLAMPS

A clamp designed to connect threaded or unthreaded rods with cable lugs.

**Material:** Brass / Gunmetal

Road Dia.	Product Code	Road Dia.
9.5MSC	BSSCC-95	9.5MSC
14MSC	BSSCC-14	14MSC
16MSC	BSSCC-16	16MSC
20MSC	BSSCC-20	20MSC

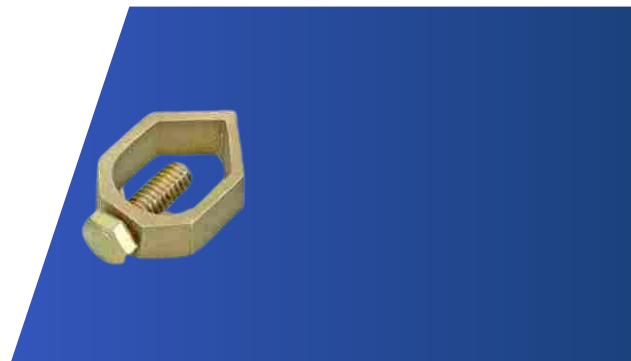


### COPPER ALLOY CLAMPS - A TYPE

A sturdy brass clamp with MS fasteners for reliable connections.

**Material:** Brass with MS Fastener

Size mm	Brass	AL Bronze	Gunmetal
14	BSCAC 14	BSCAC 15	BSCAC 15G
16 or 5/8"	BSCAC 16	BSCAC 17	BSCAC 17G
19 or 3/4"	BSCAC 19	BSCAC 20	BSCAC 20G



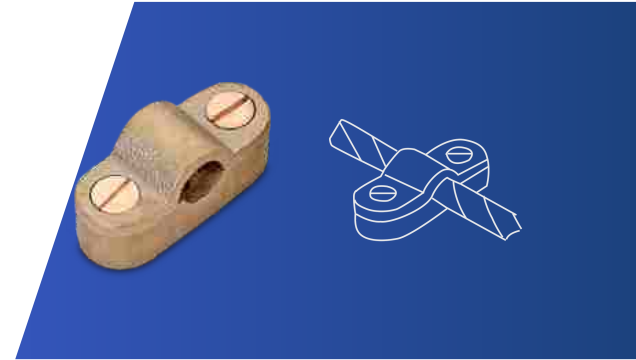
## EARTHING ACCESSORIES

### HEAVY DUTY CONDUCTOR SADDLE

A robust saddle designed to secure 8mm conductors or air terminals.

**Material:** Brass / Gunmetal

Conductor Dia. (mm)	Product Code
8	HDCC - 8
10	HDCC - 10



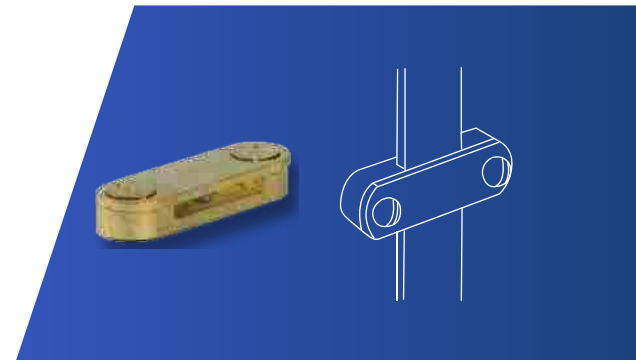
### DC TAPE CLIP

A clip designed to hold bare copper tape conductors securely in place.

**Material:** Brass / Gunmetal

*Also available for Aluminium conductor on request.*

Conductor Size (mm)	Product Code
25 x 3	BSDTC - 253
25 x 6	BSDTC - 256
40 x 6	BSDTC - 406
50 x 6	BSDTC - 506

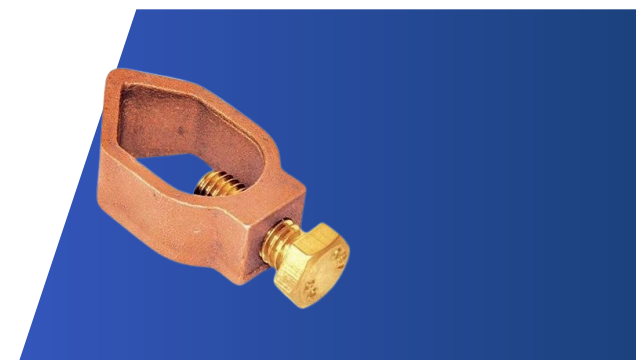


### ROD TO TAPE CLAMP TYPE - G

A clamp for connecting cables to copper or copper-bonded earth rods.

**Material:** Brass / Gunmetal

Earth Rod Size (mm)	Conductor Size (mm <sup>2</sup> )	Weight (Kg)	Product Code
14	14 to 95mm <sup>2</sup>	0.090	BSRCC-1416
14	14 to 185mm <sup>2</sup>	0.110	BSRCC-1470
16	16 to 95mm <sup>2</sup>	0.090	BSRCC-1616
16	16 to 185mm <sup>2</sup>	0.110	BSRCC-1670
17	17 to 95mm <sup>2</sup>	0.100	BSRCC-1716
17	17 to 185mm <sup>2</sup>	0.120	BSRCC-1770
20	20 to 95mm <sup>2</sup>	0.100	BSRCC-2016
20	20 to 185mm <sup>2</sup>	0.120	BSRCC-2070



## EARTHING ACCESSORIES

### ROD TO TAPE CLAMP TYPE - 0

A durable clamp is used to secure rod-to-cable connections efficiently.

**Material:** Brass / Gunmetal



Size Inc.	Product Code
-----------	--------------

5/8"	BSOC-58
------	---------

3/4"	BSOC-34
------	---------

### SPLIT BOLT CONNECTORS

A durable brass connector used for securely joining multiple conductors in electrical and grounding systems.

**Material:** Free cutting brass, any material composition as per customer's requirement.

**Standard:**

DIN, ISO, ASTM, EN, JIS, GB, and other international standards.

**Features:**

- Corrosion resistance
- Less prone to damage
- Sturdy construction
- Cost-effective
- Longer service life
- Easy installation



At Big Star Metal (BSM), we specialize in high-quality cable glands and earthing accessories, ensuring reliability and precision in every product. Beyond our core range, **we are always open to custom manufacturing based on our clients' unique needs and specifications.** Our commitment to quality craftsmanship and customer satisfaction drives every creation, making excellence our only motto.

For more details or custom orders, write to us at:  
email@bigstarmetal.com



# POWERING RELIABILITY, CRAFTING EXCELLENCE

We don't just manufacture—we collaborate. Whether you need standard products or customized solutions tailored to your specifications, our team is ready to bring your vision to life.

**Let's build something great together!**

Get in touch with us today to discuss your requirements and place an order.



+91 97269 86505/ 96247 37458



bigstarmetal@gmail.com.com



SHED NO SP. 17/1/3,GIDC Shanker Tekri,  
Udhyog Nagar, Jamnagar-361004,  
Gujarat, India



**BSM**   
BIG STAR METAL